

Type: Condensing units with air cooled condenser and hermetic piston compressor

Producer: Cubigel Compressors

Series: LBP

Model: CML90FB_N

General data

Refrigerant:	R404A/R507
Compressor's cooling:	Fan cooled
Maximum ambient temperature [°C]:	43
Maximum permitted pressure [kg / cm ²]:	30

Condenser technical data

Condenser type:	CU-AL
Condenser model:	8T 4R
Fan engine's capacity [W]:	5
Fan diameter [mm]:	200

Compressor technical data

Compressor:	ML90FB
Displacement [m ³ /h]:	8,86
Cylinder diameter / stroke [mm]:	25,40/17,47
Engine type:	CSIR
Power supply [V / Hz]:	220-240/50
Voltage range [V]:	187-264
Locked rotor current [A]:	12,2
Main winding resistance (25°C) [Ω]:	6,12
Starting winding resistance (25°C) [Ω]:	31,61

Versions

	<u>CML90FB1N</u>	<u>CML90FB2N</u>	<u>CML90FB3N</u>	<u>CML90FB4N</u>	<u>CML90FB5N</u>
Receiver volume [l]:	-	-	1	-	1
Suction line diameter ["]:	1/4	3/8F	3/8F	1/4	3/8F
Discharge line diameter ["]:	5/16	1/4F	1/4F	5/16	1/4F

R404A/R507

Performance

t_e	t_a	Q	P	I
-40	35	195	238	1
-35	36	246	267	1
-30	38	310	301	2
-25	39	389	341	2
-20	41	482	386	2
-15	43	588	436	2
-10	46	709	492	2

Test conditions: f=50 Hz; 32°C Ambient temperature and suction gas return

t_e - Evaporating temperature [°C]

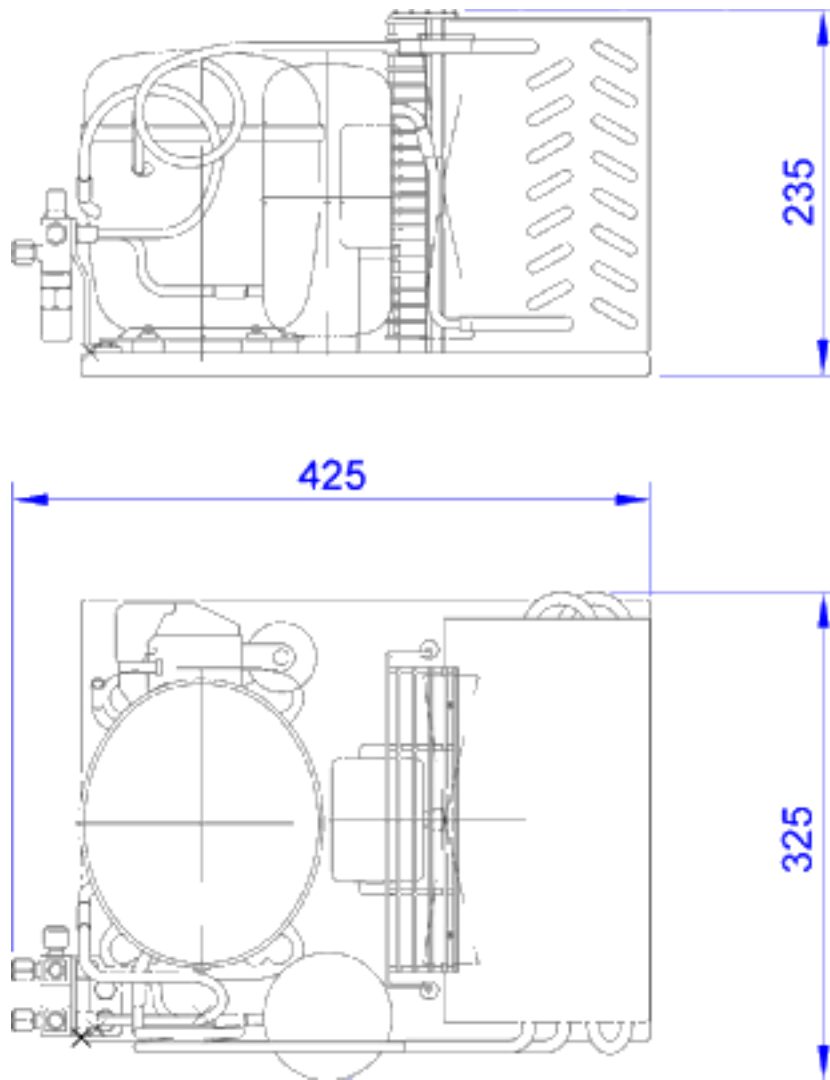
t_c - Condensing temperature [°C]

Q - Cooling capacity [W]

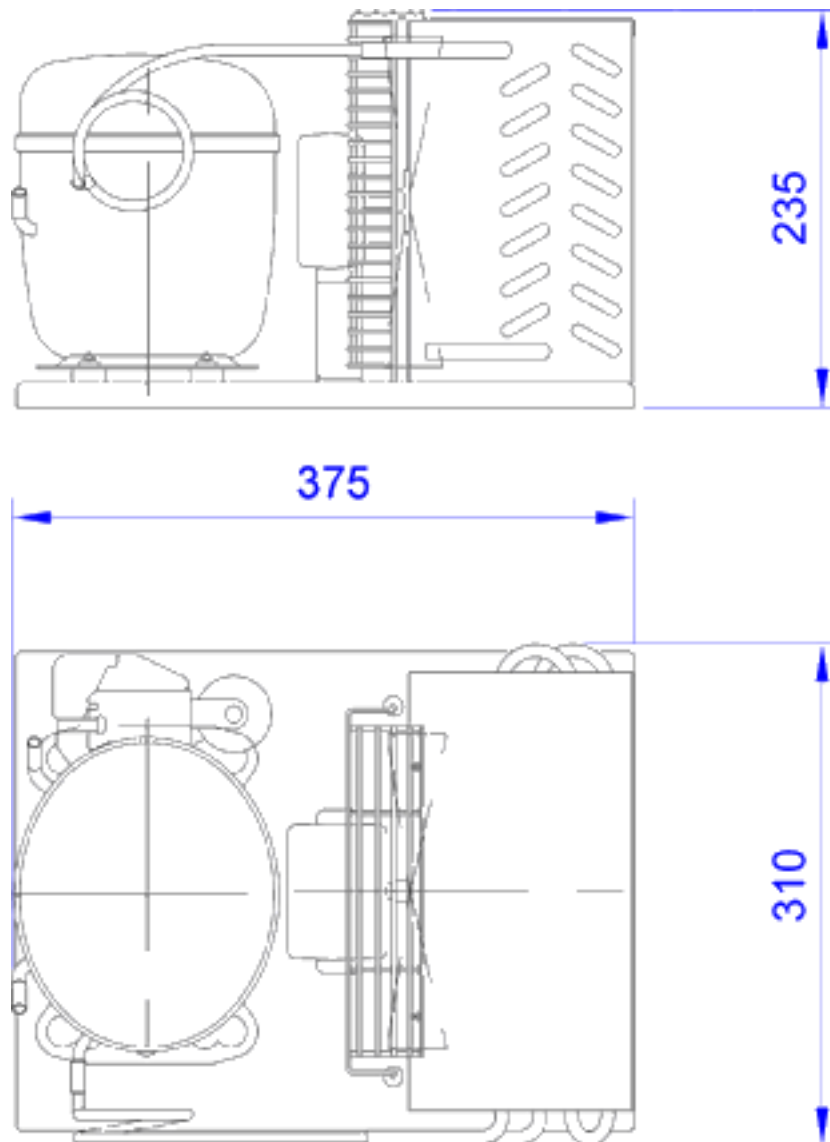
P - Power input [W]

I - Current input [A]

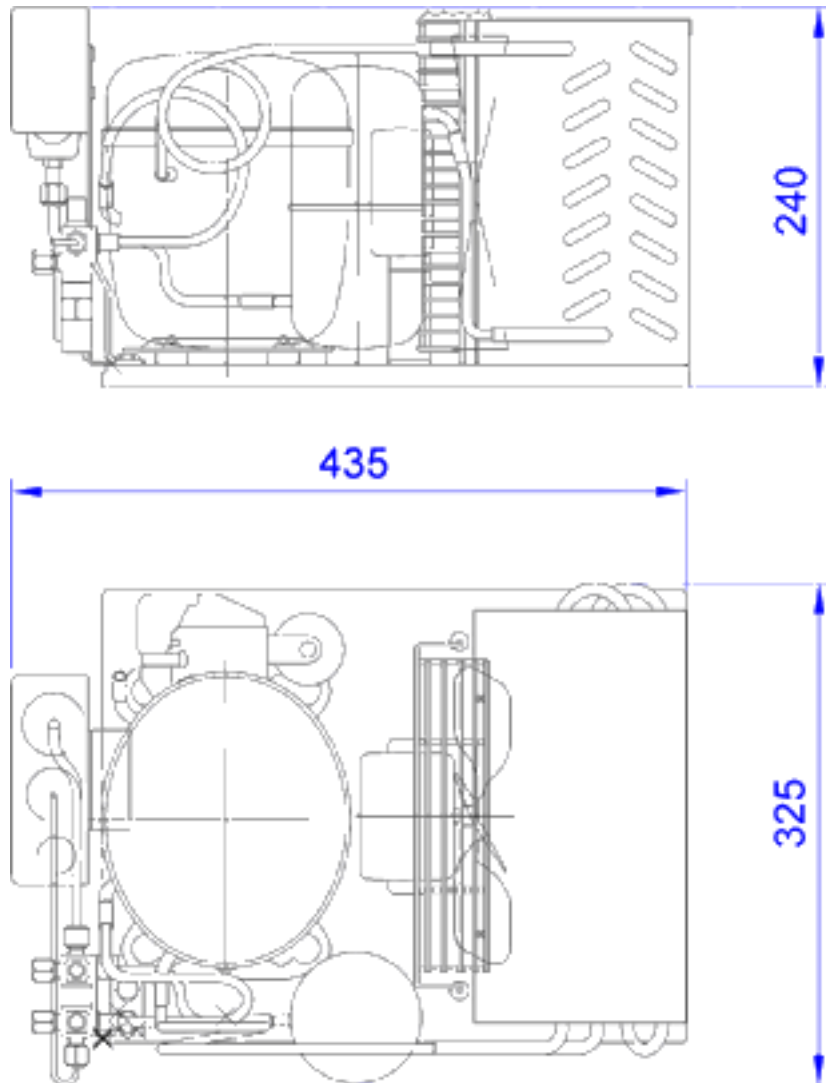
Version 3



Version 4

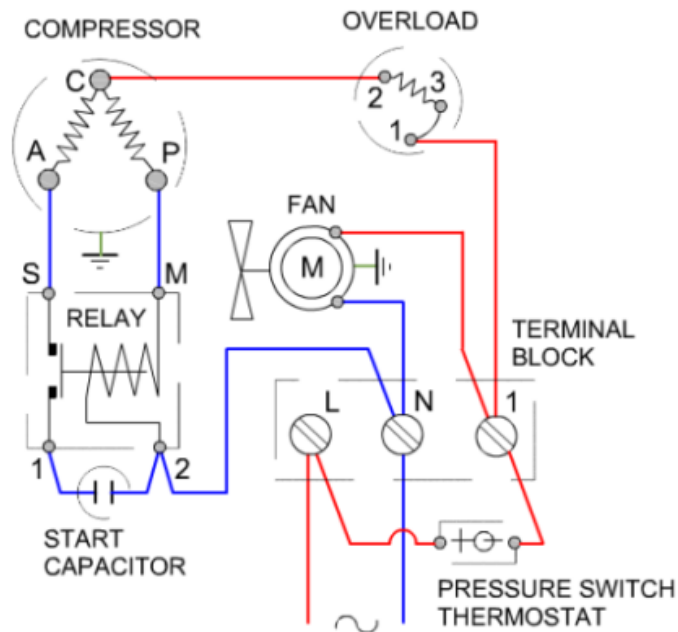


Version 5

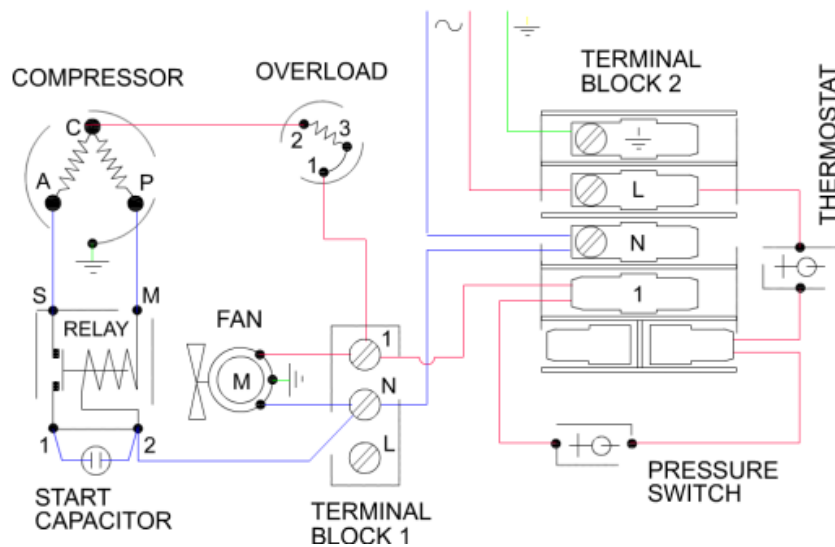




Version 1 - 4



Version 5



- COMPRESSOR - Compressor
- OVERLOAD - Overload protection
- TERMINAL BLOCK - Terminal block
- THERMOSTAT - Thermostat
- PRESSURE SWITCH - Pressure switch
- FAN - Fan
- RELAY - Starting relay
- START CAPACITOR - Starting capacitor