



Self-contained ice maker - Granular system
Daily production up to 104 kg

| | |
|---------------|------------|
| Hotel | ██████████ |
| Restaurant | ██████████ |
| Fast food | ██████████ |
| Bar | ██████████ |
| Disco | ██████████ |
| Fish market | ██████████ |
| Supermarket | ██████████ |
| Medical & SPA | ██████████ |
| Industry | ██████████ |

► Position n°



► Features & Plus

- Granular ice - 80-82% dry
- 1l (water) - 1kg (ice) - only Air cooled
- AISI 304 SS Scotch Brite finish
- Tropical class +43°C
- Adjustable Stainless Steel feet
- Removable and cleanable air filter
- AISI 304 SS evaporator
- Air or water cooling system
- Easy cleanable internal rounded surfaces
- HCFC-Free insulated storage
- Dust-proof water basin
- RoHS Free
- Disappearing insulated door
- Electromechanical operation
- ON-OFF rocker switch
- Automatic water charge
- Standard and special voltages



AISI 304 SS Scotch Brite finish



Removable and cleanable air filter



AISI 304 SS evaporator



Dust-proof water basin



Disappearing insulated door

► Prod. 24h

| °C | Air temp. | | Water temp. | | Kg | Lbs |
|----|-----------|-------|-------------|-------|-----|-----|
| | 10° C | 50° F | 7° C | 45° F | | |
| | 10° C | 50° F | 7° C | 45° F | 104 | 229 |
| | 21° C | 70° F | 15° C | 60° F | 95 | 209 |

2 Years Warranty
subject to limitations

► Certifications available for this model

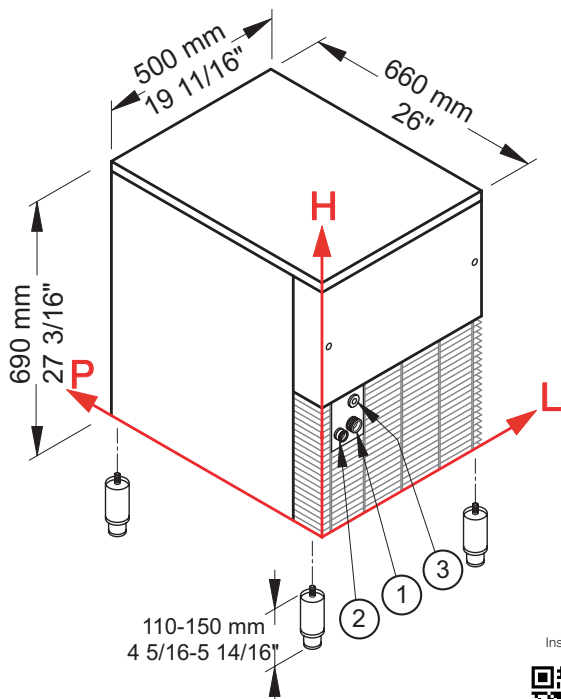




Ice Flakes

GB 902

Self-contained ice maker - Granular system
Daily production up to 104 kg

**► Working conditions**

- Location: **Indoor**

| | Min | Max |
|----------------------|-----------------|-----------------|
| Ambient temperature | +10° C / +50° F | +43° C / 110° F |
| Water temperature | +3° C / +37° F | +32° C / +90° F |
| Voltage | -10% | +10% |
| Water inlet pressure | 1bar (14 psi) | 6bar (84 psi) |

► Performances

| | Air temperature | Water temperature | Water temperature | | | | | |
|--|-----------------|-------------------|-------------------|---------|-------|---------|-------|-------|
| | | | 7° C | 45° F | 15° C | 60° F | 21° C | 70° F |
| | 10° C | 104 kg | | | | | | |
| | 50° F | 229 lbs | | | | | | |
| | 21° C | | 95 kg | | | | | |
| | 70° F | | | 209 lbs | | | | |
| | 32° C | | | | 81 kg | | | |
| | 90° F | | | | | 179 lbs | | |

► Connections

All measures are referred to the rear bottom-left corner (L-H-Ø)

- ① Water in.: 99 mm / 3 14/16" - 158 mm / 6 4/16" - 3/4" ② Water out.: 48 mm / 1 14/16" - 151 mm / 5 15/16" - 24 mm / 15/16"
- ③ Electrical connections: 87 mm / 3 7/16" - 230 mm / 9 1/16"

► Technical information

| | |
|---------------------------|--|
| Production in 24h | 95 kg / 209 lbs |
| Store capacity, up to | 20 kg / 44 lbs |
| Cooling system | A - W |
| Refrigerant | R404A - R452A |
| Standard voltage | 220-240 V ~ 50 Hz |
| Average power consumption | 550 W |
| Fuse | 10 A |
| Finish | AISI 304 stainless steel, scotch brite |

| | |
|----------------------------|--------------------------------|
| Water consumption | A: 1 l/kg - 12,0 gal/100 lbs |
| | W: 6,3 l/kg - 75,5 gal/100 lbs |
| Sizes (L-P-H mm) | 500 - 660 - 690 |
| (L-P-H in) | 19 11/16 - 26 - 27 3/16 |
| Sizes with pack (L-P-H mm) | 550 - 720 - 880 |
| (L-P-H in) | 21 10/16 - 28 6/16 - 34 10/16 |
| Net weight | 59 kg / 130 lbs |
| Gross weight | 67 kg / 148 lbs |

All the technical information need to be considered at the following conditions:

Sizes without feet

Ambient temperature +21° C

Water temperature +15° C

Average power consumption at +43° C (standard voltage)

Models and specifications are subject to change without notice

Rev. 04 - Issued September 2019



www.bremaice.it
info@bremaice.it

Bim + Data
download

